

MT14FP / 1,8°

• General characteristics

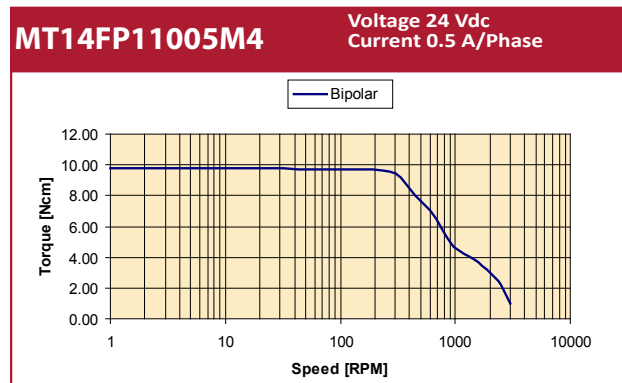


Step accuracy	±5%
Temperature rise	80° C max @ nominal current
Ambient temperature	-20° C ~ +50° C
Insulation resistance	100Mohm min. 500Vdc.
Dielectric strength	500Vac 1 minute
Insulation class	B, 120° C
Protection	IP30
Max radial force	28 N
Max axial force	10 N
Shaft radial play	0.02 max 450 g. load
Shaft axial play	0.08 max 450 g. load

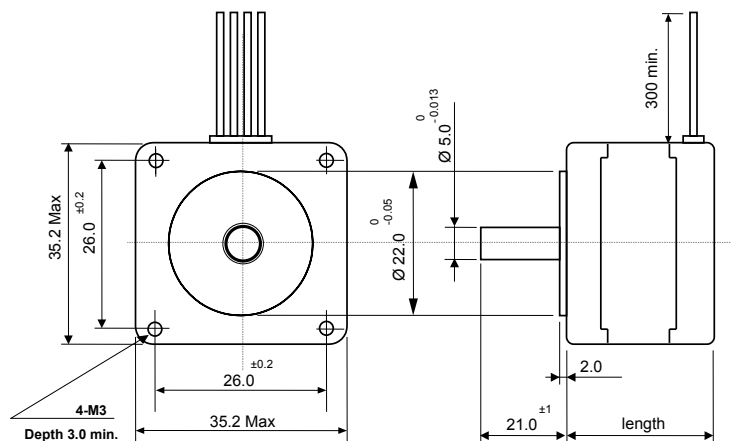
• Specifications

Model Code	Rated Voltage (V)	Phase Current (A)	Phase Resistance (ohm)	Phase Inductance (mH)	Holding Torque (Nm)	Detent Torque (Nm)	Rotor Inertia (g.cm ²)	Wires	Motor Length (mm)	Weight (Kg)	Special (see pag.4)
MT14FP11005M4	10.00	0.50	20.00	14.00	0.098	0.008	11.0	4	28	0.14	--

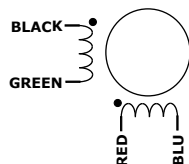
• Torque curves



• Dimensions (Unit: mm)



• Wiring diagrams



PHASE	A	A/	B	B/
LEAD COLOR	BLACK	GREEN	RED	BLUE