

MT17AP / 1,8°

• General characteristics

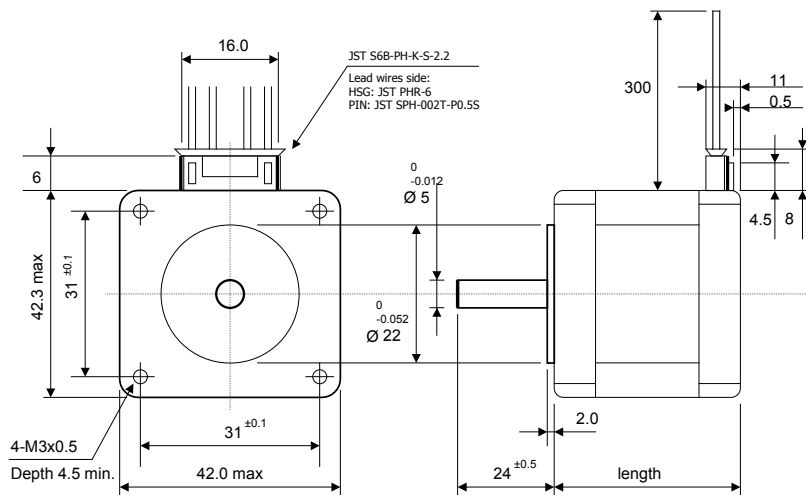


Step accuracy	±5%
Temperature rise	80° C max @ nominal current
Ambient temperature	-10° C ~ +50° C
Insulation resistance	100Mohm min. 500Vdc.
Dielectric strength	500Vac 1 minute
Insulation class	B, 120° C
Protection	IP30
Shaft radial play	20 µm max @450 g. load
Shaft axial play	80 µm max @450 g. load

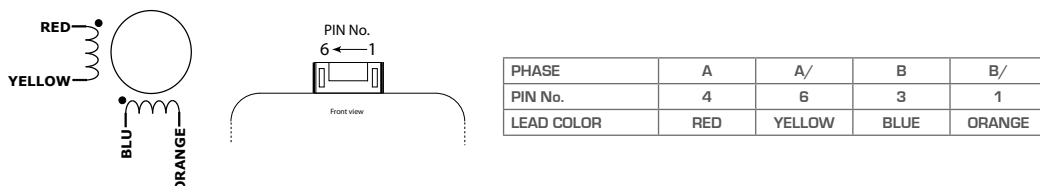
• Specifications

Model Code	Rated Voltage (V)	Phase Current (A)	Phase Resistance (ohm)	Phase Inductance (mH)	Holding Torque (Nm)	Detent Torque (Nm)	Rotor Inertia (g.cm ²)	Wires	Motor Length (mm)	Weight (Kg)	Special (see pag.4)
MT17AP10006M401	2.90	0.70	4.20	8.80	0.130	0.013	24	4	27.0	0.18	double shaft 15.0 mm and Ø 5.0 mm + customized pinion
MT17AP14003M405	6.00	0.33	18.00	24.00	0.117	0.014	34	4	34.0	0.20	no cable + front shaft 20.5 mm + special fixing
MT17AP14004B404	14.00	0.40	35.00	48.00	0.240	0.014	37	4	34.0	0.20	front shaft 20.0 mm + double shaft 15.0 mm and Ø 5.0 mm + cable length 1000 mm
MT17AP14008M407	3.50	0.85	4.10	8.50	0.245	0.019	37	4	34.0	0.20	front shaft 20.0 mm + D-cut dml=15.0 mm dmp= 4.0 mm + special cable
MT17AP15004M402	12.00	0.40	30.0	37.00	0.206	---	45	4	34.0	0.23	---
MT17AP15010M407	3.20	1.00	3.20	6.60	0.230	0.019	40	4	33.0	0.22	---
MT17AP15010M408	4.20	1.00	4.90	7.70	0.245	0.009	45	4	38.0	0.25	no cable + front shaft 20 mm + special fixing
MT17AP18010M4	4.70	1.00	4.70	10.50	0.490	---	80	4	45.0	0.35	---
MT17AP18020B4	2.16	2.00	1.08	2.40	0.450	0.021	75	4	48.0	0.35	no cable + double shaft 15.5 mm and Ø 5.0 mm

• Dimensions (Unit: mm)



• Wiring diagrams



• Torque curves

